

CAPACIBANK® Brand Capacitor Series

CAPACIBANK®

APPLICATIONS

- Branch panel
- Main service entrance

STANDARD FEATURES

- UL & C-UL listed, CE
- 2-year warranty
- 3-line fusing with blown fuse indication
- Discharge resistors per NEC requirements
- Assembled in the USA

STANDARD RATINGS

- 240, 480, 600 Volts
- 3-phase
- 60 Hertz



CIM Model

CAPACITOR CELLS

- 20-year rated life
- 5-year warranty
- Self-contained, 3-phase, delta-connected
- Industrial grade dry-type construction
- Losses of less than ½ watt per kVAR
- Self-healing metallized polypropylene dielectric film
- 3-phase pressure-actuated interrupter
- Hermetically sealed steel case
- Threaded insulated terminals

FUSES

- Fast-acting, current-limiting, with 200,000 ampere interrupting capacity

ENCLOSURES

- Built to NEMA 12 specifications for indoor use
- Wall-mounted or free-standing with hinged door and lockable door handle

FIELD WIRING TERMINATION

- Mechanical connections are provided for all field wiring termination points

MODELS

- CIM Model: blown fuse indication and CelTel® monitoring system
- CNM Model: blown fuse indication

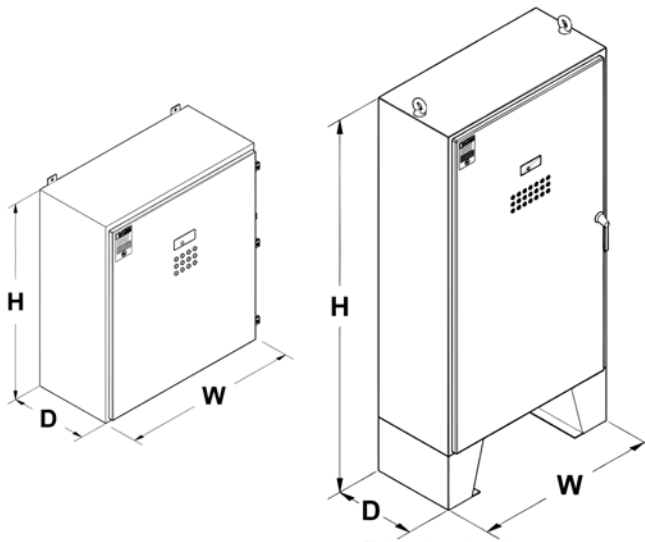
CELTEL® MONITORING SYSTEM

- Loss-of-capacitance indication
- Indicates when capacitor assembly is no longer functioning effectively
- Phase imbalance indication
- Overcurrent and undercurrent indication
- Reset function
- Self diagnostic function

OPTIONS

- Circuit breaker or disconnect switch
- Other enclosure ratings available
- Other voltage and phase applications available
- Other kVAR configurations available

CAPACIBANK® Brand Capacitor Series



| ENCLOSURE DIMENSIONS | | | |
|----------------------|-------|-------|-------|
| ENC. | H | W | D |
| W2 | 36.00 | 24.00 | 16.00 |
| W4 | 36.00 | 36.00 | 16.00 |
| F1 | 84.00 | 41.00 | 18.00 |

W2, W4: Wall-mounted; F1: Free-standing

All dimensions are in inches. Myron Zucker, Inc. reserves the right to change dimensions without notice.

STANDARD SELECTION CHART

Complete part number by inserting indication preference

CIM: Blown fuse indication with CelTel® monitoring system; **CNM:** Blown fuse indication

| 240V / 3Φ / 60Hz | | | | 480V / 3Φ / 60Hz | | | | 600V / 3Φ / 60Hz | | | |
|------------------|-------------|-------|------|------------------|-------------|-------|------|------------------|-------------|-------|------|
| kVAR | PART NUMBER | AMPS* | ENC. | kVAR | PART NUMBER | AMPS* | ENC. | kVAR | PART NUMBER | AMPS* | ENC. |
| 75 | C_M23075-3 | 180 | W2 | 150 | C_M43150-3 | 180 | W2 | 150 | C_M63150-3 | 144 | W2 |
| 100 | C_M23100-3 | 241 | W2 | 175 | C_M43175-3 | 210 | W2 | 175 | C_M63175-3 | 168 | W2 |
| 125 | C_M23125-3 | 301 | W4 | 200 | C_M43200-3 | 241 | W2 | 200 | C_M63200-3 | 192 | W2 |
| 150 | C_M23150-3 | 361 | W4 | 225 | C_M43225-3 | 271 | W2 | 225 | C_M63225-3 | 217 | W2 |
| 175 | C_M23175-3 | 421 | F1 | 250 | C_M43250-3 | 301 | W4 | 250 | C_M63250-3 | 241 | W4 |
| 200 | C_M23200-3 | 481 | F1 | 300 | C_M43300-3 | 361 | W4 | 300 | C_M63300-3 | 289 | W4 |
| 225 | C_M23225-3 | 541 | F1 | 350 | C_M43350-3 | 421 | W4 | 350 | C_M63350-3 | 337 | W4 |
| 250 | C_M23250-3 | 601 | F1 | 400 | C_M43400-3 | 481 | F1 | 400 | C_M63400-3 | 385 | F1 |
| | | | | 450 | C_M43450-3 | 541 | F1 | 450 | C_M63450-3 | 433 | F1 |
| | | | | 500 | C_M43500-3 | 601 | F1 | 500 | C_M63500-3 | 481 | F1 |
| | | | | 550 | C_M43550-3 | 662 | F1 | 550 | C_M63550-3 | 529 | F1 |
| | | | | 600 | C_M43600-3 | 722 | F1 | 600 | C_M63600-3 | 577 | F1 |

*The ampacity of capacitor circuit conductors shall not be less than 135% of the rated circuit of the capacitor Per NEC 2008