

MULTICAL[®] BRAND CAPACITOR SERIES

APPLICATIONS

- At the load
- Branch panel
- Main service entrance

STANDARD FEATURES

- UL & C-UL listed, CE
- 2-year warranty
- 3-line fusing
- Discharge resistors exceeding NEC requirements
- Assembled in the USA

STANDARD RATINGS

- 240, 480, 600 Volts
- 3-phase
- 60 Hertz

OTHER AVAILABLE RATINGS

- 208 – 575 Volts
- 480 & 600 Volt/Harmonic Duty
- Single phase
- 50 Hertz

CAPACITOR CELLS

- 20-year rated life
- Self-contained, 3-phase, delta-connected
- Industrial grade dry-type construction
- Losses of less than ½ watt per KVAR
- Self-healing metallized polypropylene dielectric film
- 3-phase pressure-actuated interrupter
- Hermetically sealed steel case
- Threaded insulated terminals

FUSES

- Fast-acting, current-limiting, with 200,000 ampere interrupting capacity

ENCLOSURES

- Built to NEMA 12 specifications for indoor use
- Lid furnished with oil-resistant gasketing
- Recessed mounting holes for wall or shelf mounting
- Designed for simple installation and maintenance
- Other NEMA ratings available

FIELD WIRING TERMINATION

- Mechanical connections are provided for all field wiring termination points

BLOWN FUSE INDICATION

- Red light illuminates on outside of enclosure when corresponding fuse has blown

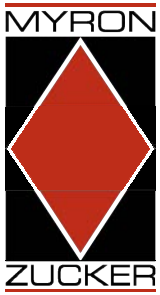
CELTEL[®] BRAND LOSS-OF-CAPACITANCE INDICATOR

- Amber light illuminates when capacitor cell is no longer functioning effectively or B phase fuse has blown



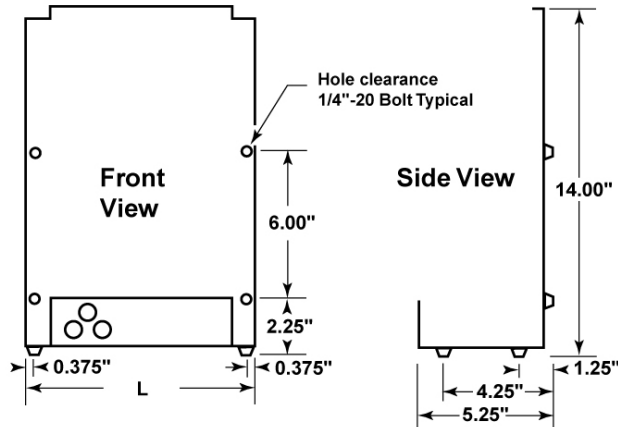
THREE MODELS AVAILABLE

- MKIM: blown fuse and CelTel[®] (loss-of-capacitance) indication
- MKNM: blown fuse indication
- MKPM: fusing without indication



MULTICAL[®] BRAND CAPACITOR SERIES

Dimensions for mounting holes



CASE DIMENSIONS				
NO. OF CELLS	CASE	H	L	D
2	B	14.00	15.75	5.25
3 or 4	C	14.00	24.00	5.25

All dimensions are in inches. We reserve the right to change dimensions without notice.

STANDARD RATINGS	KVAR SIZE	NUMBER OF CELLS
240V / 3Ø / 60 HZ	1.0 to 8.0 9.0 to 16.0	1 CELL 2 CELLS
480V / 3Ø / 60 HZ	1.0 to 20.0 22.5 to 40.0	1 CELL 2 CELLS
600V / 3Ø / 60 HZ	1.0 to 20.0 22.5 to 40.0	1 CELL 2 CELLS

These assemblies are limited to four cells per enclosure. Therefore, use this chart to determine how many cells are needed for each motor's **KVAR** requirement.

SELECTION CHART

VOLTAGE	TWO CELL ASSEMBLY	THREE CELL ASSEMBLY	FOUR CELL ASSEMBLY
240	MKIM23 (,) -3	MKIM23 (, ,) -3	MKIM23 (, , ,) -3
480	MKIM43 (,) -3	MKIM43 (, ,) -3	MKIM43 (, , ,) -3
600	MKIM63 (,) -3	MKIM63 (, ,) -3	MKIM63 (, , ,) -3

Complete the catalog number by filling in the (,)'s with required KVAR sizes. Change part number prefix to MKNM for fusing with blown fuse indication and **no** loss-of-capacitance indication. Change part number prefix to MKPM for fusing without blown fuse indication or loss-of-capacitance indication.