



MULTICAL[®] BRAND CAPACITOR SERIES

This series has all the features of the Calmount[®] brand capacitor series and corrects two, three, or four motors.

APPLICATIONS

- At the load

FEATURES

- UL listed, CE, C-UL listed
- 20-year rated cell life
- 2-year warranty

STANDARD RATINGS

- 240, 480, 600 Volts
- 3-phase cells
- 60 Hertz

OTHER AVAILABLE RATINGS

- 208, 380, 415 Volts
- 480 Volt/High Temperature
- Single phase
- 50 Hertz

THREE MODELS AVAILABLE

- MKIM – Blown fuse indication and loss-of-capacitance indication
- MKNM – Blown fuse indication
- MKPM – Fusing without indication

CAPACITOR CELLS

- Self-contained 3-phase cells
- 3-phase pressure-actuated interrupter
- Industrial grade
- Dry-type construction
- Losses of less than 1/2 watt per KVAR
- Self-healing metallized polypropylene dielectric film
- Hermetically sealed steel case
- Threaded insulated terminals
- Discharge resistors to reduce voltage to less than 50 volts in one minute (per NEC)

CELTEL[®] BRAND LOSS-OF-CAPACITANCE INDICATOR (MKIM Model)

- Amber light illuminates when cell is no longer functioning effectively
- Also indicates blown fuse in B phase of capacitor assembly

ENCLOSURES

- Built to NEMA 12 specifications for indoor use
- Gasketed, no knockouts, and furnished with ground lug
- Recessed mounting holes for wall or shelf mounting
- Lift-off cover which exposes the front, top, and both sides for ease of installation and maintenance
- Other NEMA ratings available (3R, 4, 4X, etc.)

WIRE TERMINATION

- Wire connection to the capacitor cell terminal post is made with ring-type stakons which provide a secure electrical and physical connection

FUSES

- Fast-acting, current-limiting, with 200,000 ampere interrupting capacity
- Individual fuses are used for each cell
- Blown fuse indication lights illuminate on outside of enclosure (MKIM and MKNM Models)

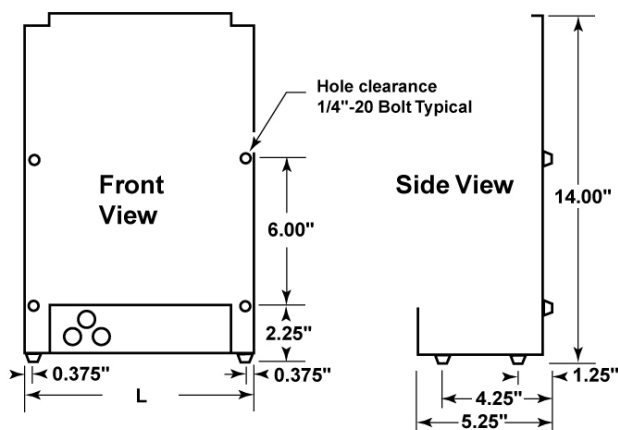




MULTICAL[®] BRAND CAPACITOR SERIES

This series has all the features of the Calmount[®] brand capacitor series and corrects two, three, or four motors.

Dimensions for mounting holes



CASE DIMENSIONS				
NO. OF CELLS	CASE	H	L	D
2	B	14.00	15.75	5.25
3 or 4	C	14.00	24.00	5.25

All dimensions are in inches. We reserve the right to change dimensions without notice.

STANDARD RATINGS	KVAR SIZE	NUMBER OF CELLS
240V / 3Ø / 60 HZ	1.0 to 8.0 9.0 to 16.0	1 CELL 2 CELLS
480V / 3Ø / 60 HZ	1.0 to 20.0 22.5 to 40.0	1 CELL 2 CELLS
600V / 3Ø / 60 HZ	1.0 to 20.0 22.5 to 40.0	1 CELL 2 CELLS

These assemblies are limited to four cells per enclosure. Therefore, use this chart to determine how many cells are needed for each motor's **KVAR** requirement.

SELECTION CHART

VOLTAGE	TWO CELL ASSEMBLY	THREE CELL ASSEMBLY	FOUR CELL ASSEMBLY
240	MKIM23 (,) -3	MKIM23 (, ,) -3	MKIM23 (, , ,) -3
480	MKIM43 (,) -3	MKIM43 (, ,) -3	MKIM43 (, , ,) -3
600	MKIM63 (,) -3	MKIM63 (, ,) -3	MKIM63 (, , ,) -3

Complete the catalog number by filling in the (,)'s with required KVAR sizes.
Change part number prefix to MKNM for fusing with blown fuse indication and **no** loss-of-capacitance indication.
Change part number prefix to MKPM for fusing without blown fuse indication or loss-of-capacitance indication.